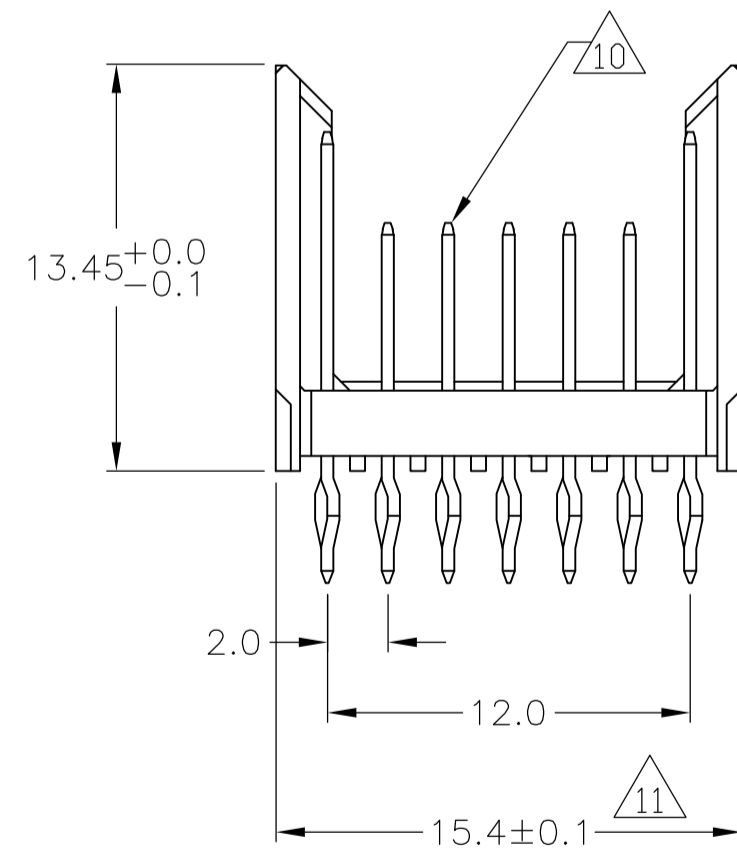
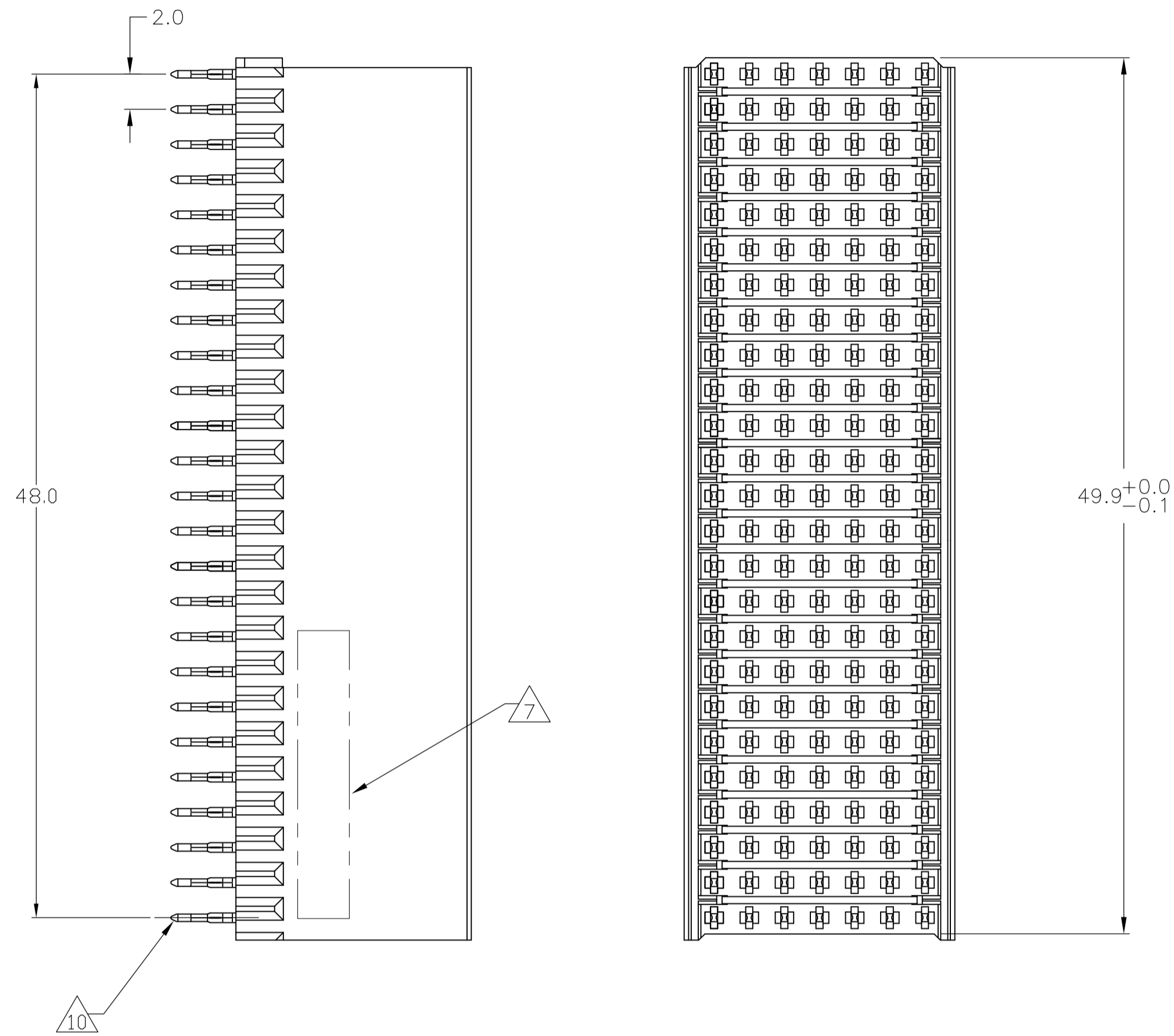
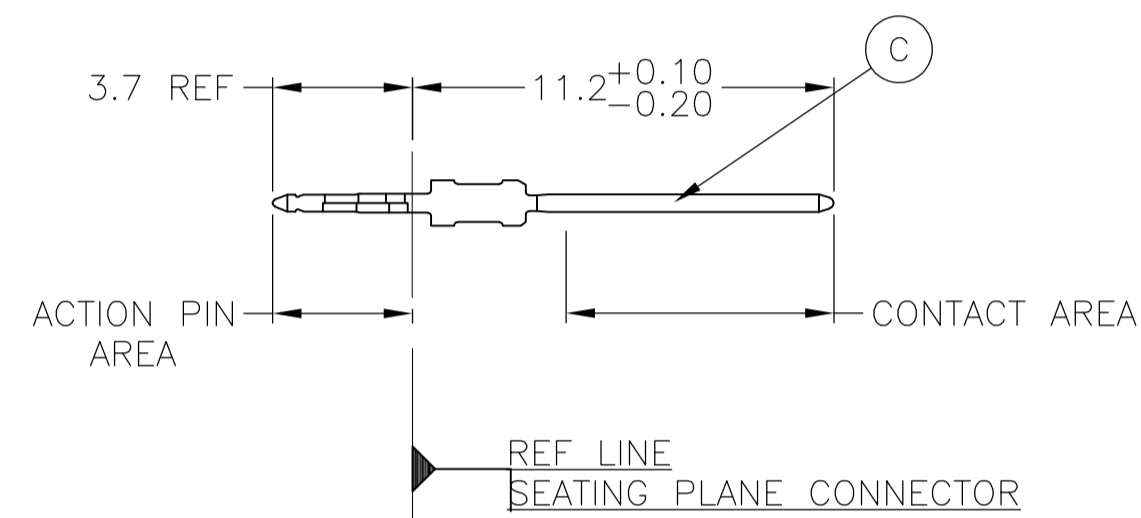
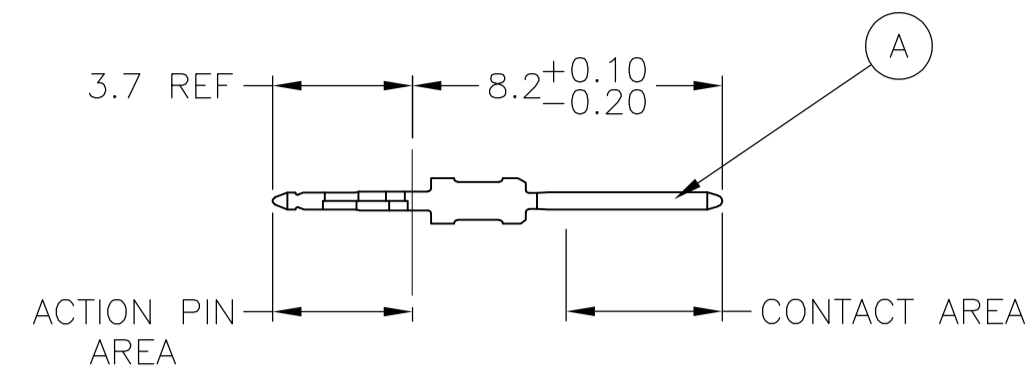


CONNECTOR ASSEMBLY EXAMPLARY LOADED $\triangle 9$



CONTACT DIMENSIONS

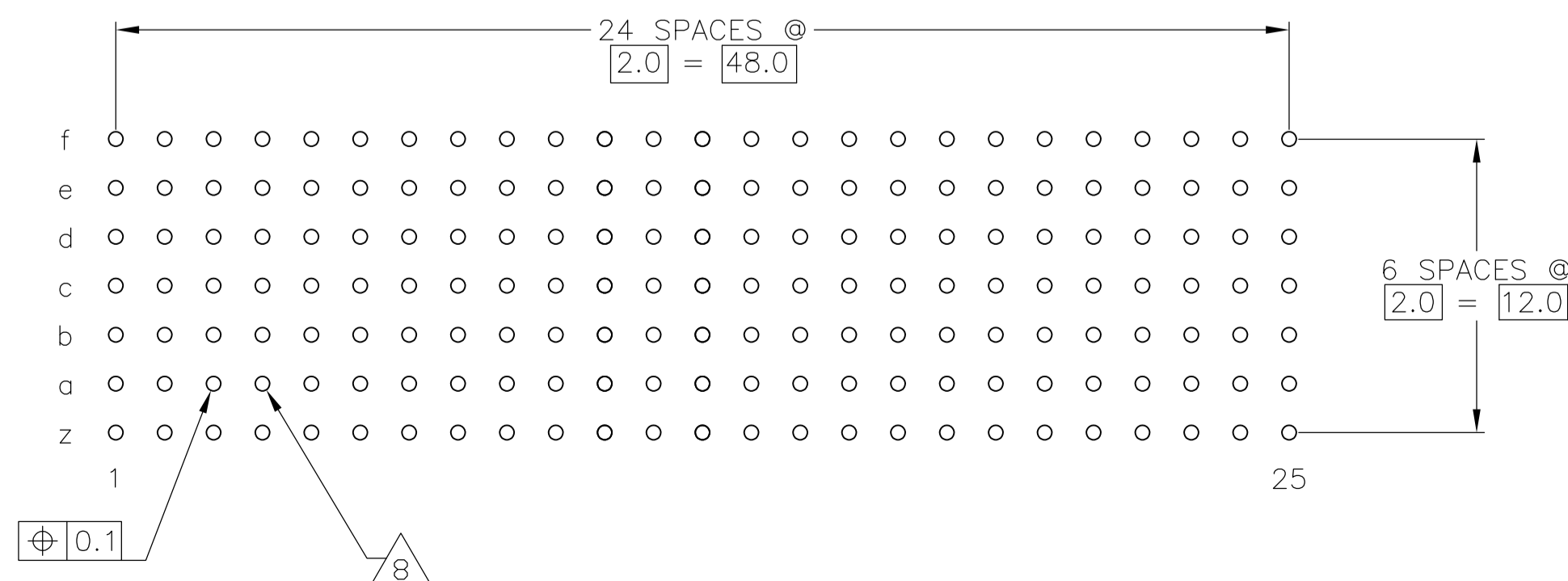
SCALE 5:1



CONTACT LAYOUT

	z	a	b	c	d	e	f
1	C	A	A	A	A	A	C
2	C	A	A	A	A	A	C
3	C	A	A	A	A	A	C
4	C	A	A	A	A	A	C
5	C	A	A	A	A	A	C
6	C	A	A	A	A	A	C
7	C	A	A	A	A	A	C
8	C	A	A	A	A	A	C
9	C	A	A	A	A	A	C
10	C	A	A	A	A	A	C
11	C	A	A	A	A	A	C
12	C	A	A	A	A	A	C
13	C	A	A	A	A	A	C
14	C	A	A	A	A	A	C
15	C	A	A	A	A	A	C
16	C	A	A	A	A	A	C
17	C	A	A	A	A	A	C
18	C	A	A	A	A	A	C
19	C	A	A	A	A	A	C
20	C	A	A	A	A	A	C
21	C	A	A	A	A	A	C
22	C	A	A	A	A	A	C
23	C	A	A	A	A	A	C
24	C	A	A	A	A	A	C
25	C	A	A	A	A	A	C

RECOMMENDED PCB-HOLE LAYOUT COMPONENT SIDE SHOWN



PLATED THRU HOLES PARAMETERS


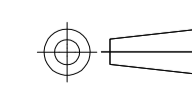
REFERENCE APPLICATION SPECIFICATION

OBSOLETE	$\triangle 2$ $\triangle 6$ $\triangle 12$	1-5100669-9
	$\triangle 2$ $\triangle 5$ $\triangle 12$	5100669-9
	$\triangle 2$ $\triangle 4$	5100669-4
	$\triangle 2$ $\triangle 3$	5100669-1
FINISH		PART NUMBER

THIS DRAWING IS A CONTROLLED DOCUMENT.		DIN B CARBO 24JAN05		STE TE Connectivity	
DIMENSIONS: mm		CIR G SKIPPER 24JAN05		NAME	
TOLERANCES UNLESS OTHERWISE SPECIFIED:		APVD G SKIPPER 24JAN05		PRODUCT SPEC	
0. PLC ± -		108-19082		APPLICATION SPEC	
1. PLC ± 0.1		114-19029		WEIGHT	
2. PLC ± -		A1 00779 C=5100669		SIZE CAGE CODE DRAWING NO	
3. PLC ± -		CUSTOMER DRAWING		RESTRICTED TO	
4. PLC ANGLES ± -		SCALE 4:1		SHEET 1 OF 2	
MATERIAL $\triangle 1$		SEE TABLE		REV D	

LOC		DIST		REVISIONS				
P	LTR	DESCRIPTION	DATE	DMN	APVO			
-	-	SEE SHEET 1	-	-	-			

- 1 MATERIAL:
CONTACT: PHOSPHOR BRONZE.
HOUSING: GLASS-FILLED POLYESTER.
- 2 GENERAL PLATING SPECIFICATION: UNDERPLATING
(ENTIRE CONTACT): 1.27µm MIN NICKEL AND ACTION
PIN: 0.5µm MIN TIN.
FOR PLATING OF MATING SURFACES SEE APPLICABLE
SPECIFICATION REFERENCE FOR EACH DASH NUMBER.
- 3 CONFORMS TO ALL TESTING ACCORDING TO IEC 61076-4-101
PERFORMANCE LEVEL 2.
- 4 CONFORMS TO ALL TESTING ACCORDING TO IEC 61076-4-101
PERFORMANCE LEVEL 1.
- 5 CONNECTOR TESTED AND QUALIFIED AGAINST TELCORDIA GR-1217-CORE QUALITY LEVEL 3,
CENTRAL OFFICE APPLICATIONS.
- 6 CONNECTOR TESTED AND QUALIFIED AGAINST TELCORDIA GR-1217-CORE QUALITY LEVEL 3,
UNCONTROLLED ENVIROMENT APPLICATIONS.
- 7 CONNECTOR MARKED WITH PART NUMBER AND DATE CODE.
ADDITIONAL CHARACTERS OR MARKINGS, AS WELL AS THE LOCATION OF THE MARKINGS,
MAY BE ADDED FOR TRACEABILITY BASED UPON MANUFACTURERS DISCRETION.
- 8 PLATED-THROUGH HOLES AT 2x2mm SQUARE GRID
PATTERN DEFINED BY CONTACT LAYOUT.
- 9 FOR ACTUAL PIN LOADING SEE "CONTACT LAYOUT".
- 10 FOR ACTUAL PIN DIMENSIONS SEE "CONTACT DIMENSIONS".
- 11 TO BE MEASURED AT BOTTOM OF SHROUD.
- 12 CONNECTOR LUBRICATED WITH BELCORE APPROVED LUBRICANT,
TECHNICAL REFERENCE: TR-NWT-001217 ISSUE 1, SEP 1992.

THIS DRAWING IS A CONTROLLED DOCUMENT.		DIN B CARBO 24JAN05		 TE Connectivity	
DIMENSIONS: mm		TOLERANCES UNLESS OTHERWISE SPECIFIED:			
		0 PLC ± - 1 PLC ± 0.1 2 PLC ± - 3 PLC ± - 4 PLC ± - ANGLES ± -		GSKIPPER 24JAN05 NAME: MALE ASSEMBLY, Z-PACK 2mm HM, TYPE B	
MATERIAL: SEE SHEET 1		FINISH: SEE SHEET 1		PRODUCT SPEC: 108-19082 APPLICATION SPEC: 114-19029	
		WEIGHT: -		SIZE: A1 CAGE CODE: 00779 DRAWING NO: 5100669	
		CUSTOMER DRAWING		RESTRICTED TO: - SCALE: 4:1 SHEET 2 OF 2 REV D	